

DYNAMIC STATIC VOLTAGE STABILISER

IGBT PWM Controlled Digital Stabilizer,
75-1600 KVA, Three Phase / Three Phase



Designed to Protect Sensitive Equipment
such as Laboratory Analyzers, Medical
Imaging Systems, Broadcast Transmitters,
Security Scanners and CNC Machine Tools

LIVELINE ELECTRONICS
(An ISO 9000 & 14000 certified, MSME/NSIC
registered and CRISIL rated company)



+91-33-24772094
+91-8017992988



info@livelineindia.com

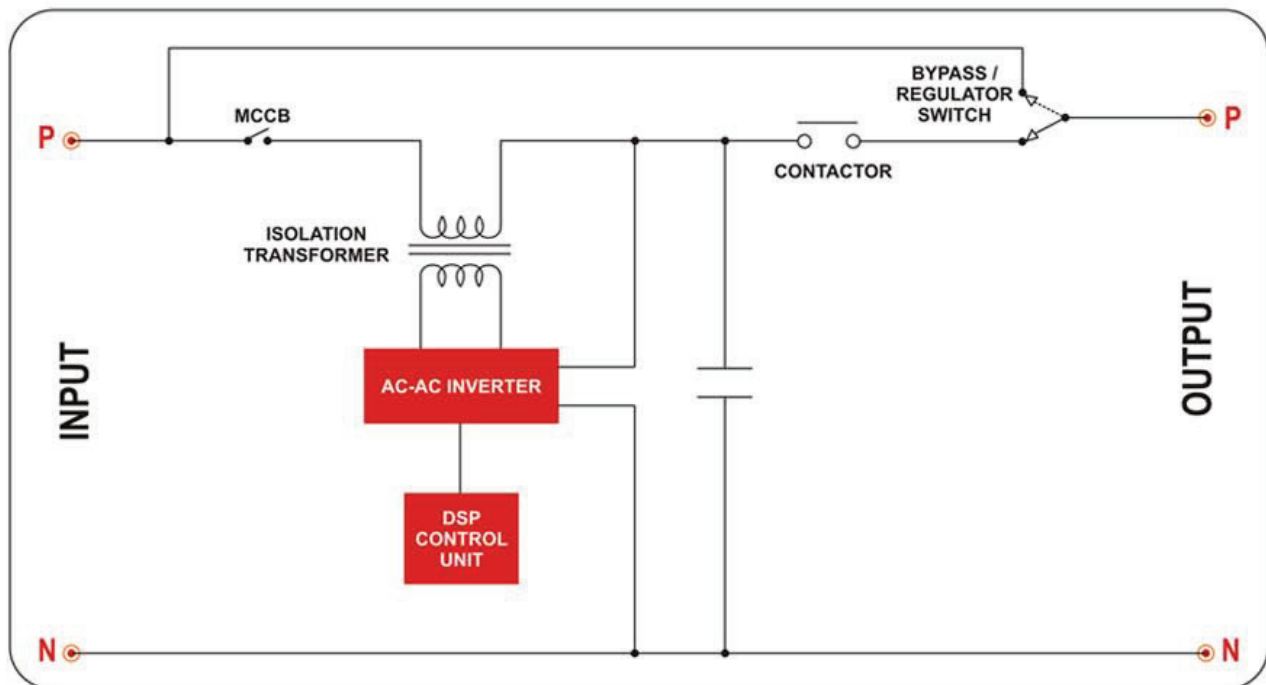
www.livelineindia.com

SALIENT FEATURES

- Excellent Voltage Regulation of $\pm 1\%$
- Very Fast Correction Time of 2000V/s
- Very Fast Correction Speed of 20Khz
- Soft Start to Reduce Inrush Current
- Auto Bypass
- Silent operation
- Excellent load protection capabilities to ensure load life
- Compatible with almost all load application
- Static Voltage Stabilizer is working on IGBT (static device) based PWM Control technology, No moving or mechanical contact for voltage regulation. At the primary of buck-boost transformer, delta voltage is added and subtracted by IGBT based AC - AC converter to regulate output voltage
- Rating of the AC-AC convert is 1/3 of the rated power
- Cycle by cycle voltage regulation without interrupting load current



Schematic diagram of dynamic static voltage regulator/stabilizers per phase





TECHNICAL SPECIFICATIONS

Model	Higher capacity models available on request										
Capacity (KVA)	75	100	120	150	200	300	400	500	600	800	1000
Input											
Input Voltage Range	220/380 VAC [230/400/415 VAC] 3Phase+N $\pm 25\%$										
Input Frequency	50 / 60 Hz (Adjustable)										
Input Frequency Range	$\pm 10\%$										
Output											
Output Voltage	220/380 VAC [230/400/415 VAC] 3Phase+N (Adjustable)										
Output Voltage Tolerance	$\pm 1\%$										
Correction Speed	>2000 V/sn , Reacts to voltage changes in microseconds										
Efficiency	>97%										
Output Protection	Short Circuit, Overcurrent, Over-Under Voltage										
Overload	at 125% load 10 min., $\geq 150\%$ load 1 min.										
General											
Topology	High Frequency 20kHz IGBT Driven Voltage Regulation Converter. Buck- Boost Transformer. Pulse width Modulated (PWM) Controlled Direct AC to AC Converter Topology.										
Automatic Bypass	Automatic Bypass will be Activated when There is a Fault Condition										
Protection Level	IP20										
Operating Temperature	-10°C~50°C										
Relative Humidity	<90% (Non Condensing 40040)										
Noise	<60dB										
Dimension WxDxH (mm)	700 x 950 x 1825			950x1059x1825		(3 Pieces) 700x1059x1607			(3 Pieces) 850x1000x1900		
Weight (kg)	400	465	520	640	760	1050	1200	1330	1600	1900	2300



DYNAMIC STATIC VOLTAGE STABILISER



LIVELINE ELECTRONICS
(ISO 9000 & 14000 certified, MSME
registered & CRISIL rated)

North Ramchandrapur, Narendrapur,
Sonarpur, South 24 Paraganas,
Kolkata-700103,
Cell : +91-9830024138,
Email: subir@livelineindia.com
Website : www.livelineindia.com

LIVELINE ELECTRONICS is an ISO 9000 & 14000 certified MSME and NSIC registered Kolkata based industrial power electronic products manufacturing company having sales and service network spread across the nation.

Our current product range also include industrial UPS Systems, Battery Charges, Inverters, Capacitor based Power Factor Correction (APFC) panels, Inverters, Electrical Control/Distribution Panels, Servo Stabilisers, Isolation Transformers, Power Quality Surveys n Site Audits etc.

Most of our products are technologically advanced and designed to deliver high quality performances with a focus on customer support and services

LIVELINE reserves the right to change or modify product design, construction, specifications, or materials without prior notice and without incurring any obligation to make such changes and modifications on LIVELINE products previously or subsequently sold. LIVELINE does not guarantee the items of the accuracy and completeness.

www.livelineindia.com



+91-33-24772094
+91-8017992988



info@livelineindia.com